



CTB SUSPENSION SEAT POST USER MANUAL

dnmstock.com



DNM INDUSTRY CO.,LTD.

+886-4-22706191
+886-4-22708734
dnm@dnmshock.com
dnmshock.com

DNM CHINA RUHON SUSPENSION CO.,LTD

+86-755-29882495
+86-755-29882269
dnmshox@163.com

DNM ITALY-DH+ CONTROL SYSTEM Via Don Minzoni 88A

+39-032-1885301
+39-032-1885560
giorgio@dnmsuspension.it
www.dnmsuspension.it/dnmweb/
28043 Bellinzago Novarese(NO),Italy

GERMANY

Vector Bike
+49-157-56507678
+39-032-1885560
info@vectorebike.com
www.vectorebike.com



USA

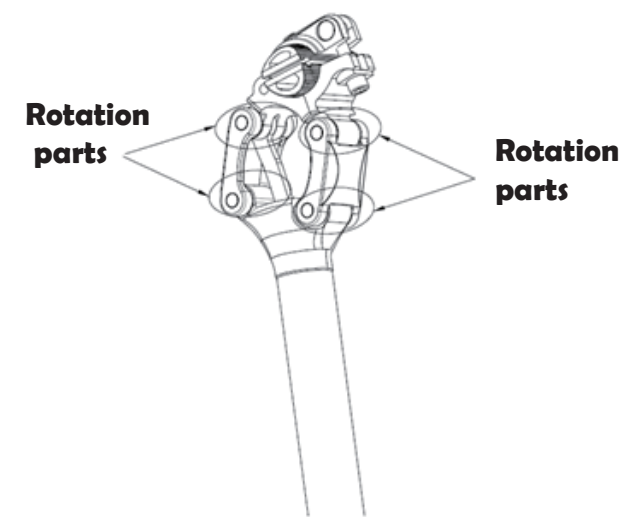
CyclingDeal
+1-909-397-4025
joey@cyclingdealusa.com
www.cyclingdealusa.com

AUSTRALIA

CyclingDeal
+61-3-97939188
sales@cyclingdeal.com.au
www.cyclingdeal.com.au

! : Warning

1. Please ensure to read this manual carefully before use this seatpost, improper usage may cause damage to the seatpost, serious injuries or even death to the rider.
2. This instruction contains essential information about correct installation and maintenance of the seatpost. We strongly recommend asking trained and qualified bicycle mechanic to help for installing, repairing and/or maintaining the seatpost. Improper installation may cause damage to the seatpost, serious injuries or even death to the rider.
3. We recommend using the TMARS protective cover to avoid injuries while parallelogram system of seatpost is acting.
4. Please ensure the seatpost is fastened under proper torque value according to specification of frame and seat clamp. Please inspect and twist saddle every ride, to see if any unusual movement of the seatpost.



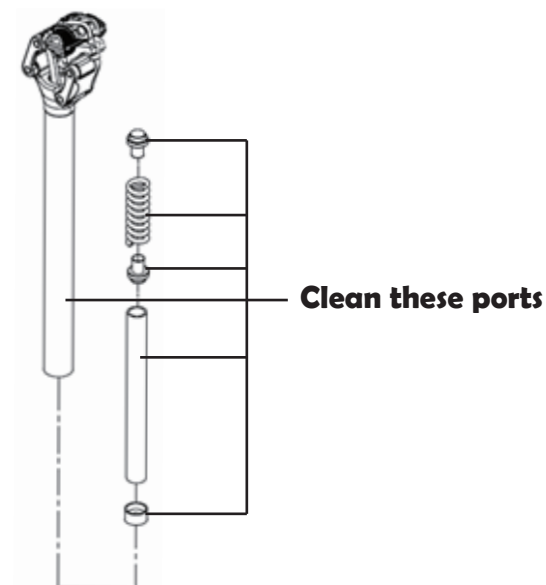
! : Maintenance

※ **To ensure the long service life and smooth function of seatpost, we recommend repairing and maintaining the seat post regularly, depend on duration and condition of usage.**

1. Remove seatpost from bicycle frame, using a 6mm Allen key, turn the tension adjuster counter clockwise till it drop down, make coil spring slide out carefully.

! : Maintenance

2. Clean the seatpost from the inside out, grease the seatpost inside and assemble it in order.
3. We recommend using lubricant spray on rotation parts. (See below figure)



! : Adjustment

※ **If you need to decrease the tension, ensure tension adjuster is not over the seatpost bottom, otherwise, it may increase the risk of losing problem.**
 ※ **If any above situation occurred, please contact the dealer to purchase a proper spring**

4. There are two different types of coil spring, The inserted stander spring is silver, for the weight over 100kg, we would recommend a harder black spring to use.
5. If you have any question while replacing coil spring, or still not achieve the proper tension, please contact the dealer for help. °

! : Instruction to install the saddle clamp:

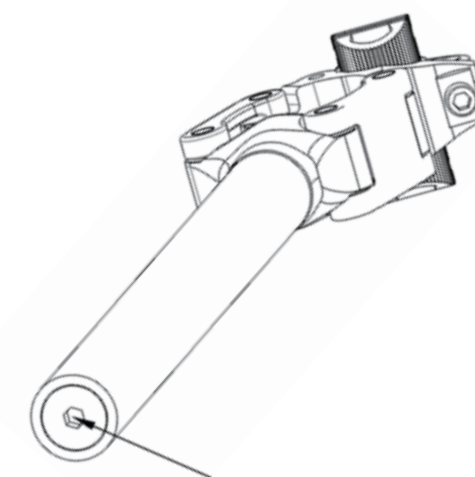
- a. Both upper and lower clamp with a conical spring.
- b. Put the spring into the hole on the clamp with the small hole up.
- c. Locking the screw into the spring.

! : Adjustment

※ **Proper coil spring tension is critical for the safe function of the seat post, over compression or topping-out may cause the structural failure or damage the spare parts, also even result in accident and death to the rider easily.**

1. With the aid of a helper, sitting on bicycle bob up and down as if you were riding on a rough road. If you feel the seat is supported by the coil spring and "Connected Rod" will not bottoming the seat tube, the seatpost is ready to use.
2. If you feel "Connected Rod" is bottoming easily, you can turn the adjuster clockwise which is at the bottom of the seat post to compress the coil spring, if that still not at the proper tension, please contact the trained bicycle mechanic or dealer to change the coil spring.
3. If you feel the coil spring can not work easily, you can turn the adjuster counter-clockwise which is at the bottom of the seat post to release the spring tension, if that still not at the proper tension, please contact the trained bicycle mechanic or dealer to change the coil spring.

! : Adjustment



° **Turn clockwise to increase tension.**
 ° **Turn counter-clockwise to decrease tension.**

! : Warning

If you have any concern when riding or setting up the seat post, please contact the trained bicycle mechanic for assistance.